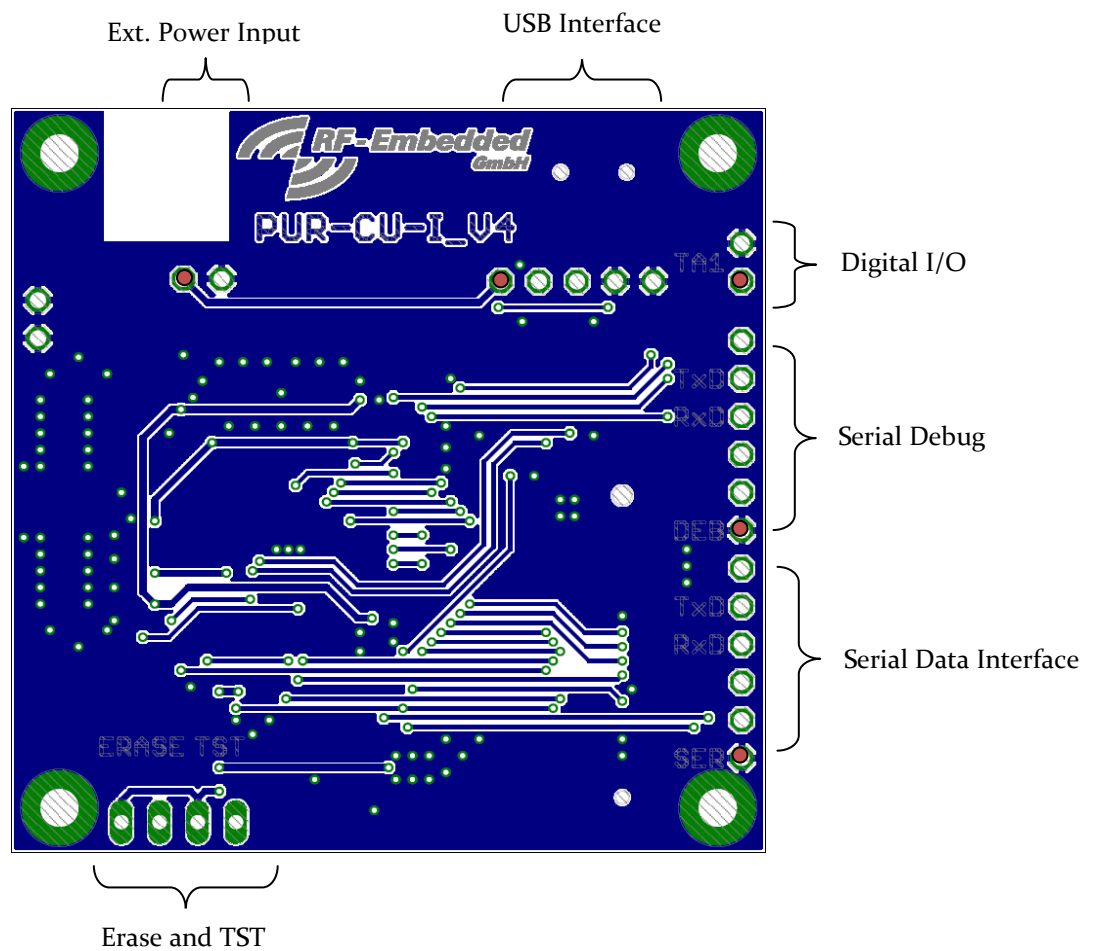

	<p style="text-align: center;">Document Technical Specification</p>	<p>version: v1.09 status: date: 2013-03-05</p>
<p><i>title:</i> PUR-CU-I v4 Pin Description</p>		<p><i>org</i></p>

PINOUT PUR-CU-I v4

1 Interface Overview



	Document	version: v1.09
	Technical Specification	status: date: 2013-03-05
title: PUR-CU-I v4 Pin Description		org

2 Interface Description

Ext. Power Input:

External power input, rated to 5 V DC.

USB Interface:

USB standard compliant device data interface with protection circuit.

Digital I/O:

5V TTL tolerant I/O. The pin can only be used as input if supported by the firmware.

If the pin is used as input, an external pull-up resistor is required.

If the pin is used as output, the maximum high level voltage is 3,3V DC and the maximum output current is up to 8mA.

In line to the Pin of the uC is a 100 Ohm Resistor on Board.

Serial Debug Interface:

The interface is a 5V TTL tolerant serial debug interface. Only for internal use!

Serial Data Interface:

The interface is a 5V TTL tolerant serial data interface.

The default baud rate is set to 115200kBit/s.

Erase and TST:

These pins are only for internal use.

CAUTION: Using these pins can seriously damage the Device!

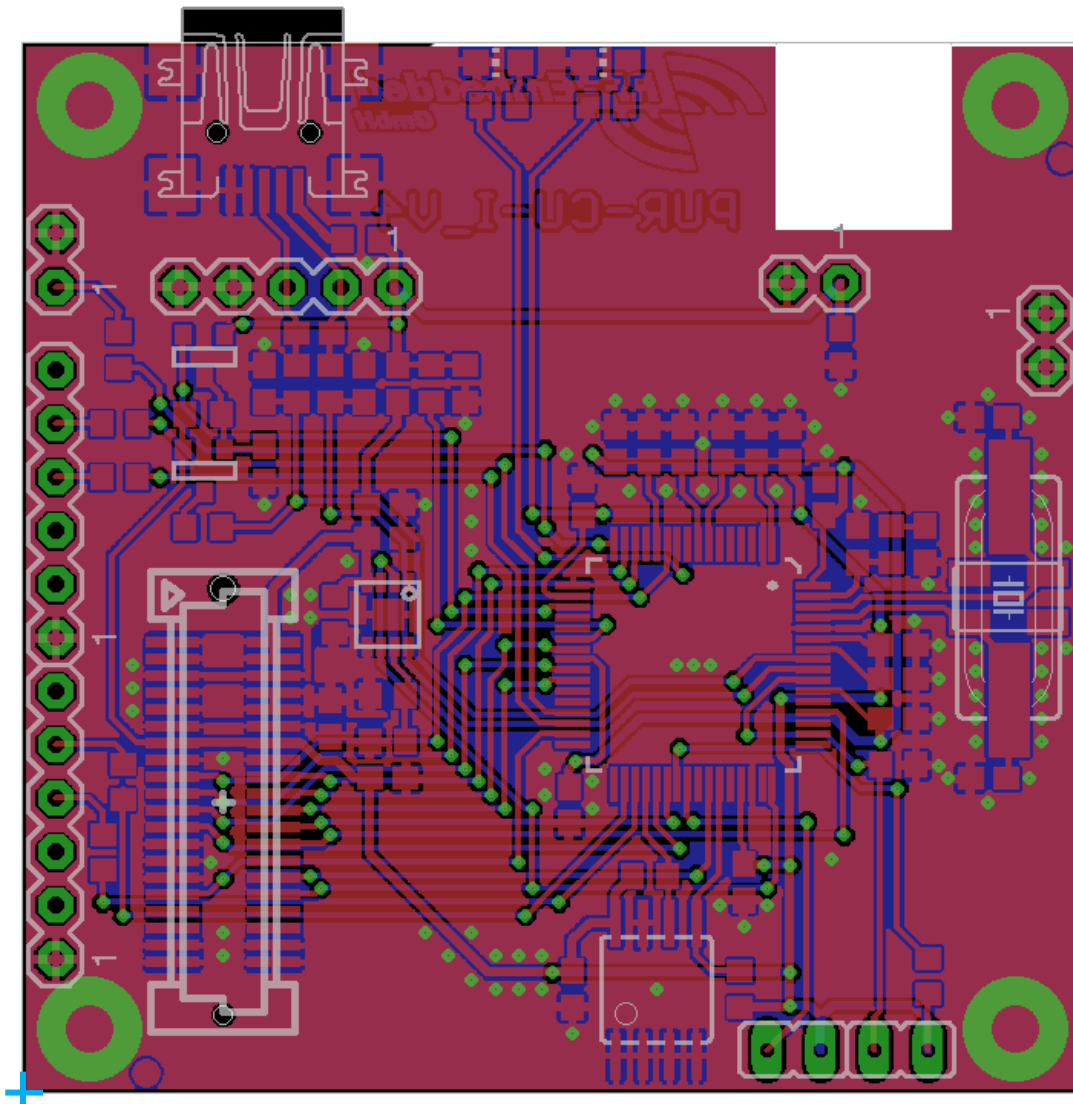
3 Pin Assignments

Pin 1 of each interface is marked with a red dot in the picture of page 1.

Connector	Pin 1	Pin 2	Pin 3	Pin 4	Pin 5	Pin 6
Ext. Power Input	+5V DC	GND	---	---	---	---
USB Interface	+5V DC	DM	DP	GND	GND	---
Digital I/O	Signal	GND	---	---	---	---
Serial Debug Interface	GND	NC	NC	RxD	TxD	NC
Serial Data Interface	GND	NC	NC	RxD	TxD	NC

20130305_EN_DS - PUR_CU_I_v4 - Pin Description_v1.09.docx	created by: Thomas Stockklauser	page: 2 von 4
--	---------------------------------	---------------


4 Exact Pin Positions



4.1 Mounting Hole Positions

The reference point is the **blue cross** in the above picture

Description	X-Pos.	Y-Pos.	Diameter	Hole Size
Hole 1	3,17 mm	3,01 mm	5 mm	2,5 mm
Hole 2	3,17 mm	46,83 mm	5 mm	2,5 mm
Hole 3	46,99 mm	46,83 mm	5 mm	2,5 mm
Hole 4	46,99 mm	3,01 mm	5 mm	2,5 mm

	Document	version: v1.09
	Technical Specification	status: date: 2013-03-05
title: PUR-CU-I v4 Pin Description		org

4.2 Connector Pad Positions

The reference point is the blue cross in the image on page 3.

Connector	PIN	Description	X-Pos.	Y-Pos.	Diameter	Hole Size
Serial Data	1	GND	1,58 mm	6,35 mm	1,52 mm	1,00 mm
Serial Data	2	NC	1,58 mm	8,89 mm	1,52 mm	1,00 mm
Serial Data	3	NC	1,58 mm	11,43 mm	1,52 mm	1,00 mm
Serial Data	4	RxD	1,58 mm	13,97 mm	1,52 mm	1,00 mm
Serial Data	5	TxD	1,58 mm	16,51 mm	1,52 mm	1,00 mm
Serial Data	6	NC	1,58 mm	19,05 mm	1,52 mm	1,00 mm
Serial Debug	1	GND	1,58 mm	21,59 mm	1,52 mm	1,00 mm
Serial Debug	2	NC	1,58 mm	24,13 mm	1,52 mm	1,00 mm
Serial Debug	3	NC	1,58 mm	26,67 mm	1,52 mm	1,00 mm
Serial Debug	4	RxD	1,58 mm	29,21 mm	1,52 mm	1,00 mm
Serial Debug	5	TxD	1,58 mm	31,75 mm	1,52 mm	1,00 mm
Serial Debug	6	NC	1,58 mm	34,29 mm	1,52 mm	1,00 mm
Digital I/O*	1	Signal*	1,58 mm	38,25 mm	1,52 mm	1,00 mm
Digital I/O	2	GND	1,58 mm	40,79 mm	1,52 mm	1,00 mm
USB Interface	1	5VDC	7,46 mm	38,25 mm	1,52 mm	1,00 mm
USB Interface	2	DM	10,00 mm	38,25 mm	1,52 mm	1,00 mm
USB Interface	3	DP	12,54 mm	38,25 mm	1,52 mm	1,00 mm
USB Interface	4	GND	15,08 mm	38,25 mm	1,52 mm	1,00 mm
USB Interface	5	GND	17,62 mm	38,25 mm	1,52 mm	1,00 mm
Power Input	1	5V DC	38,73 mm	38,41 mm	1,52 mm	1,00 mm
Power Input	2	GND	36,19 mm	38,41 mm	1,52 mm	1,00 mm
GND	1	GND	48,41 mm	36,98 mm	1,52 mm	1,00 mm
GND	2	GND	48,41 mm	34,44 mm	1,52 mm	1,00 mm
Erase	1	ARM Erase	42,86 mm	2,06 mm	2,8x1,4mm	0,90 mm
Erase	2	VCC	40,32 mm	2,06 mm	2,8x1,4mm	0,90 mm
TST	1	ARM TST	37,78 mm	2,06 mm	2,8x1,4mm	0,90 mm
TST	2	VCC	35,24 mm	2,06 mm	2,8x1,4mm	0,90 mm

20130305_EN_DS - PUR_CU_I_v4 - Pin Description_v1.09.docx	created by: Thomas Stockklauser	page: 4 von 4
--	---------------------------------	---------------